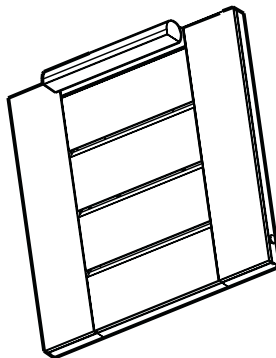


HD 8760
HD 8795

Cooker Hood

Operating and Installation Instructions



PERFEKT IN FORM UND FUNKTION

Contents

Safety warnings	57
For the user	57
For the installer	57
Description of the Appliance	59
Extractor version	59
Filter Version	59
Control Panel	60
Switching on the hood	61
Switching on the light	61
Control device for grease or charcoal filter	61
Led signal for grease filter	61
Led signal for charcoal filter	61
Re-setting the saturation signal	61
Maintenance and care	62
Cleaning the hood	62
Metal grease filter	62
Removing the frontal screens:	62
Removing the metal grease filter	63
Charcoal filter	64
Changing the light bulb	65
Special accessories	66
Technical assistance service	67
Technical Specifications	68
Mounting accessories included	68
Electrical connection	69
Wall mounting	70



Safety warnings

For the user

- **The cooker hood is designed to extract unpleasant odours from the kitchen, it will not extract steam.**
- Always cover heating elements, to prevent excess heat from damaging the appliance. In the case of oil, gas and coal fired cookers it is essential to avoid open flames.
- Also, when frying, keep the deep frying pan on the cooker top/cooker under careful control.
- The hot oil in the frying pan might ignite due to overheating.
- The risk of self-ignition increases when the oil being used is dirty.
- It is extremely important to note that overheating can cause a fire.
- **Never carry out any flambé cooking under the hood.**
- **Always disconnect the unit from the power supply before carrying out any work on the hood, including replacing the light bulb** (take the cartridge fuse out of the fuse holder or switch off the automatic circuit breaker).
- **It is very important to clean the hood and replace the filter at the recommended intervals. Failure to do so could cause grease deposits to build up, resulting in a fire hazard.**

For the installer

- When used as an extractor unit, the hood must be fitted with a 150mm diameter hose.
- Should there already be a pipe of diameter 125 mm that ducts to the outside through the walls or roof, it is possible to use the 150/125 mm reduction flange provided. In this case the hood will be slightly noisier.
- **When installing the hood respect the following minimum distances from the cooking top:**

Electric cooking tops	300mm
------------------------------	--------------
- The national Standard on fuel-burning systems specifies a maximum depression of 0.04 mbar in such rooms.
- The air outlet must not be connected to chimney flues or combustion gas ducts. The air outlet must under no circumstances be connected to ventilation ducts for rooms in which fuel-burning appliances are installed.
- The air outlet installation must comply with the regulations laid down by the relevant authorities.

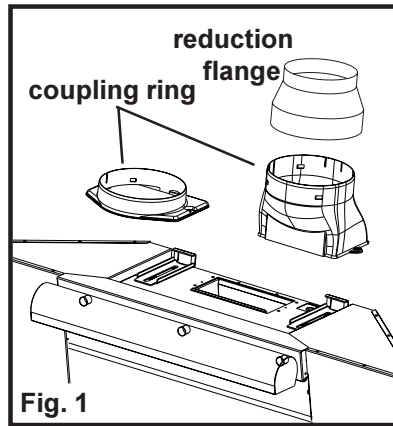
- When the unit is used in its extractor version, a sufficiently large ventilation hole must be provided, with dimensions that are approximately the same as the outlet hole.
- National and regional building regulations impose a number of restrictions on using hoods and fuel-burning appliances connected to a chimney, such as coal or oil room-heaters and gas fires, in the same room.
- Hoods can only be used safely with appliances connected to a chimney if the room and/or flat (air/environment combination) is ventilated from outside using a suitable ventilation hole approximately 500-600 cm² large to avoid the possibility of a depression being created during operation of the hood.
- If you have any doubts, contact the relevant controlling authority or building inspector's office.
- Since the rule for rooms with fuel burning appliances is "outlet hole of the same size as the ventilation hole", a hole of 500-600 cm², which is to say a larger hole, could reduce the performance of the extractor hood.
- If the hood is used in its filtering function, it will operate simply and safely in the above conditions without the need for any of the aforementioned measures.
- When the hood is used in its extractor function, the following rules must be followed to obtain optimal operation:
 - short and straight outlet hose
 - keep bends in outlet hose to a minimum
 - never install the hoses with an acute angle, they must always follow a gentle curve.
 - keep the hose as large as possible (preferably the same diameter as the outlet hole).
 - the length should be no more than:
 - 3 metres with one 90° bend
 - 2 metres with two 90° bendsBends of more than 90° will reduce the efficiency of the hood and reduce the airflow.
- Failure to observe these basic instructions will drastically reduce the performance and increase the noise levels of the extractor hood.

Description of the Appliance

- The hood is supplied as an extractor unit and can also be used with a filtering function by fitting one charcoal filter.
- You will need an original AEG charcoal filter for this function (Available from your local AEG Service Force Centre).

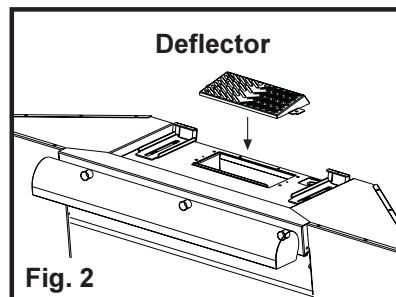
Extractor version

- In this version fumes are extracted to the outside via a hose connected to the coupling ring. **Fig. 1**.
- In order to obtain the best performance the hose should have a diameter equal to the outlet hole.
- Should there already be a pipe of diameter 125 mm that ducts to the outside through the walls or roof, it is possible to use the 150/125 mm reduction flange provided. In this case the hood will be slightly noisier.



Filter Version

- The air is filtered through a charcoal filter and returned to the kitchen.
- You will need an original AEG charcoal filter for the filtering function. (See Special Accessories).
- Fix the deflector using 2 screws \varnothing 3.5x9.5 mm. **Fig. 2**.



Control Panel

- Best results are obtained by using a low speed for normal conditions and a high speed when odours are more concentrated. Turn the hood on a few minutes before you start cooking, you will then get an under pressure in the kitchen. The hood should be left on after cooking for about 15 minutes or until all the odours have disappeared.
- The hood operation can be controlled via the control ball or with the remote control (the remote control is a special accessory and is ordered separately).
Every change (changing speed, switching on the lights, etc.) is recognizable from the variation of light emitted by the control ball and by an acoustic signal.

The control ball is located below on the right side of the cooker hood.

The control ball is also a light signal :

- **No signal :**
The hood is switched off.
- **Static green light :**
Hood is switched on at power level 1 (minimum).
- **Static orange light :**
Hood is switched on at power level 2 (medium).
- **Static red light :**
Hood is switched on at power level 3 (maximum).
- **Flashing red light :**
Hood is switched on at intensive power level (timed at 5 minutes)
- **Flashing green light :**
Indicates the grease filter saturation - clean the grease filter
- **Flashing orange light :**
Indicates the charcoal filter saturation - clean or replace the charcoal filter.

Attention!

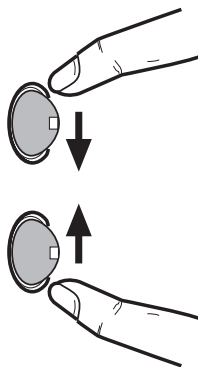
The control ball flashes orange to indicate the saturation of the charcoal filter even if the hood is used in the extractor version and no charcoal filter is fitted.

In this case, perform the signal reset operation as follows: select the intensive speed (the control ball lights up with a red flashing light), depress again and hold depressed for about 3 seconds until an audible signal indicates the reset has taken place.

Switching on the hood - Fig. 3

The control ball is a balancer switch. Depressing the control ball repeatedly towards the bottom, switches on the hood and you may select the motor level desired, depressing once again the hood switches off.

depress towards the bottom to switch on the hood.



Switching on the light - Fig. 3

Depress the control ball towards the top : once for reduced lighting, once again for full lighting, depress again to switch off the light.

depress towards the top to switch on the lights

Indicator light for grease or charcoal filter

The air duct, in this hood, includes a device that signals when the filter requires cleaning or changing .

Fig. 3

Led signal for grease filter

The LED signal flickers (flickering green light) when the grease filter requires cleaning, occurs at about 40 operating hours. Ensure that the indicator light is checked each time the hood is used.

Led signal for charcoal filter

The LED signal flickers (flickering orange light) when the charcoal filter requires cleaning, occurs at about 160 operating hours. Ensure that the indicator light is checked each time the hood is used.

Re-setting the saturation signal

After cleaning or replacing the filter, select the intensive speed (the control ball lights up with a red flashing light), depress again and hold depressed for about 3 seconds until an audible signal indicates the reset has taken place.

Maintenance and care

- The hood must always be disconnected from the electricity supply before beginning any maintenance work.

Cleaning the hood

- Clean the outside of the hood using a damp cloth and a mild detergent.
- Never use corrosive, abrasive or flammable cleaning products.
- Never insert pointed objects in the motor's protective grid.
- Wash the outside surfaces using a delicate detergent solution. Never use caustic detergents or abrasive brushes or powders.
- Only ever clean the switch panel and filter grille using a damp cloth and delicate detergents.
- It is extremely important to clean the unit and change the filters at the recommended intervals. Failure to do so will cause grease deposits to build up that could constitute a fire hazard.

Metal grease filter

- The purpose of the grease filters is to absorb grease particles which form during cooking and it **must** always be used, either in the external extraction or internal recycling function. Attention: the metal grease filters must be removed and washed, either by hand or in the dishwasher, every four weeks.
- To access the grease filter, first remove the front panels which conceal the grease filter.

Removing the front panels:

Extract the small panel, rotate upwards and unhook. Repeat the operation for all the small panels. **Fig. 4.**

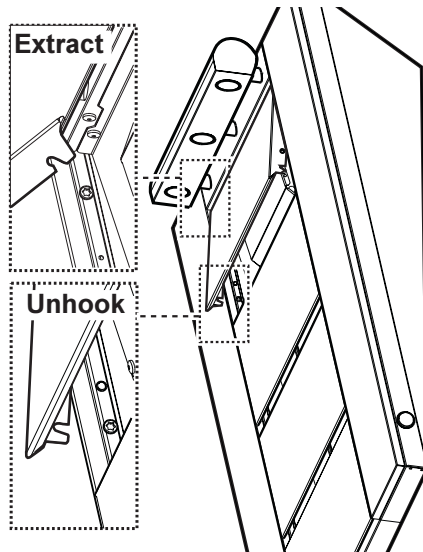


Fig. 4

Removing the metal grease filter

Pull the handle downwards, then extract the filter. **Fig. 5.**

Hand washing

Soak grease filter(s) for about one hour in hot water with a grease-loosening cleaner, then rinse off thoroughly with hot water. Repeat the process if necessary. Refit the grease filters when they are dry.

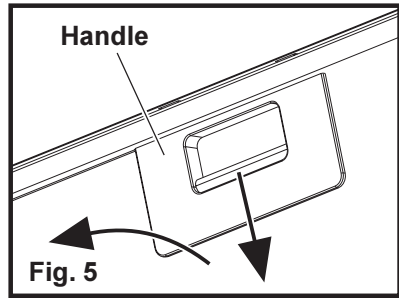
Dishwasher

Place grease filters in the dishwasher. Select most powerful washing programme and highest temperature, at least 65°C. Repeat the process. Refit the grease filters when they are dry. When washing the metal grease filter in the dishwasher a slight discolouration of the filter can occur, this does not have any impact on its performance.

- Clean the inner housing using a hot detergent solution only (never use caustic detergents, abrasive powders or brushes).

After having re-installed the grease filter, remount the front panels following the instructions for removal in reverse.

The narrower front panel is to be mounted at the highest position.



Charcoal filter

- The charcoal filter should only be used if you want to use the hood in the recirculation function.
- To do this you will need an original AEG charcoal filter (available from your local Service Force Centre).

- **Cleaning/replacing the charcoal filter**

Unlike other carbon filters, the LONGLIFE carbon filter can be cleaned and reactivated. At normal use the filter should be cleaned every second month (when using the hood 2,5 hours per day, in average). The best way to clean the filter is in the dishwasher. Use normal detergent and choose the highest temperature (65° C). Wash the filter separately so that no food parts gets stuck on the filter and later causes bad odours. To reactivate the filter, the filter should be dried in an oven for 10 minutes with a temperature of maximum 100°C.

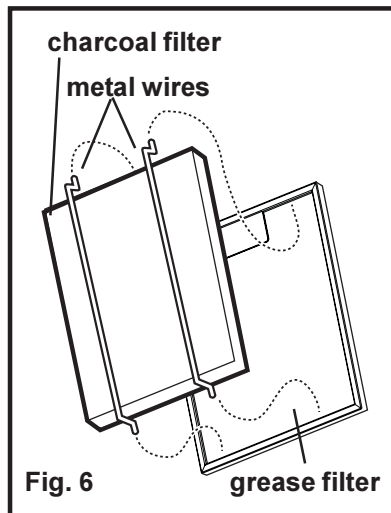
After approximately three years of use, the charcoal filter should be replaced with a new, as the odour reduction capacity will be reduced.

- **Fitting**

Fit the charcoal filter on the rear side of the grease filter, fix it with two metal wires. **Fig. 6.**

Attention! The metal wires are included in the carbon filter packing and not on the hood.

- **To remove** proceed in the reverse order.
- Always specify the hood model code number and serial number when ordering replacement filters. This information is shown on the registration plate located on the inside of the unit.
- The charcoal filter can be ordered from your local AEG Service Force Centre.



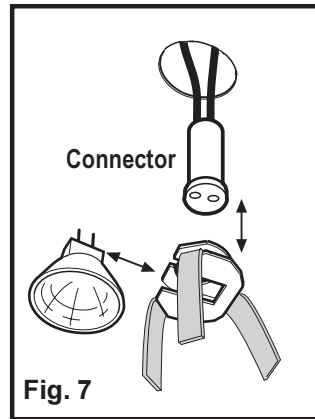


Warning

- Failure to observe the instructions on cleaning the unit and changing the filters will cause a fire hazard. You are therefore strongly recommended to follow these instructions.
- The manufacturer declines all responsibility for any damage to the motor or any fire damage linked to inappropriate maintenance or failure to observe the above safety recommendations.

Changing the light bulb

- Disconnect the cooker hood from the mains supply.
- Remove the lamp, use a screw driver as a lever. **Fig. 7.**
- Remove the connector.
- Replace the old bulb with a new one of the same type.
- Refit the connector.
- If the light does not come on, make sure the bulb has been inserted correctly before contacting your local Service Force Centre.



Special accessories

Charcoal filter Type 31

Remote control RM 8700*

Telescopic chimney

(for extractor version only)*

E-Nr. 942 120 658

942 120 750

* Not available in UK.

Technical assistance service (not for UK)

You are welcome to telephone our technical assistance service (see list of technical assistance centres) whenever you need information or in the unlikely event of a fault.

When calling, please be ready to specify:

1. **The model code number**
2. **The serial number (E-Nr.)**
3. **The manufacturing number (F-Nr.)**

This information is shown on the registration plate inside the unit behind the grease filter.

We reserve the right to change specifications and colours as a result of our policy of continuing technological development.

Service and spare parts for UK

In the event of your appliance requiring service, or if you wish to purchase spare parts, contact your local AEG Service Force Centre by telephoning: **08705 929 929**

Your call will be automatically routed to the Service Centre covering your post code area. For the address of your local Service Force Centre and further information about Service Force, please visit the website at www.serviceforce.co.uk

Please ensure that you have read the section „What to do if...“ as the engineer will make a charge if the fault is not a mechanical or electrical breakdown even the appliance is under warranty. **Please note that proof of purchase is required for in-guarantee service calls.**

Help us to help you

Please determine your type of enquiry before writing or telephoning. When you contact us we need to know:

- Your name
- Address and post code
- Telephone number
- Clear and concise details of the fault
- Name and model of the appliance*
- E number*

* This information can be found on the rating plate, which can be seen when the grease filters are removed.

Technical Specifications

	HD 8795	HD 8760
Dimensions (in cm):		
Height x Width x Depth	80 x 89,8 x 33,5	80 x 89,8 x 33,5
Maximum absorbed power:	235 W	235 W
Motor absorption:	175 W	175 W
Lighting*:	3 x 20W (30° Ø35 12V GU4)	(30° Ø35 12V GU4)
Length of the cable:	150cm	150 cm
Electrical connection:	240 V	240 V
Fuse	5A	

* **Attention!** To guarantee the same quality of illumination we advise using the same type of light: Halogen Lamp PHILIPS STANDARD LINE Code 425409, 20W 30° Ø35 12V GU4

Mounting accessories included

- 1 allen spanner for torx screw
- 1 support bracket
- 1 deflector
- 2 Screw caps
- 1 Rubber strips (to be divided in 3 pieces)
- 1 template
- 2 spacers
- 4 wood-screws 5 x 45 mm
- 4 wall plugs Ø 8 mm
- 2 metal screws 3,5 x 9,5
- 2 metal screws 3,5 x 32
- 2 metal screws 5 x 18
- 1 reduction flange Ø 150-125 mm
- 2 flanges Ø 150 mm
- Only HD 8795:** 2 Stainless Steel side panels

Electrical connection (not for UK)

Safety warnings for the electrician

Before connecting the appliance to the power supply, check that the voltage indicated on the rating plate corresponds to the mains power supply available. Appliances fitted with a plug can be connected to any standard power socket within easy access.

Should it be necessary to provide a fixed connection, the hood must only be installed by an electrician authorised by the local electricity board. When installing, an omnipolar disconnector with a distance of at least 3 mm between contacts must be provided.

Fixed connection of the appliance must only be carried out by an authorised electrician.

Electrical connection for UK only

Safety warnings for the electrician

Connect the hood to the mains supply via a double pole switch which has 3 mm minimum separation between the contacts.

The switch must be accessible at all times.

The following is valid in the United Kingdom only:

- the wire which is coloured green and yellow must be connected to the terminal which is marked with the letter E or by the earth symbol (\perp), or coloured green or green and yellow;
- the wire which is coloured blue must be connected to the terminal which is marked with the letter N or coloured black, -
- the wire which is coloured brown must be connected to the terminal which is marked with the letter L or coloured red.

Wall mounting - Fig. 10-11-12-13

- Place the three rubber strips on the back of the cooker hood. Where necessary mount the two spacers provided on the drill holes for definitive fixing. The spacers are useful when the wall which is to house the cooker hood is not perfectly vertical (for example: where it is partially covered with wall tiles).

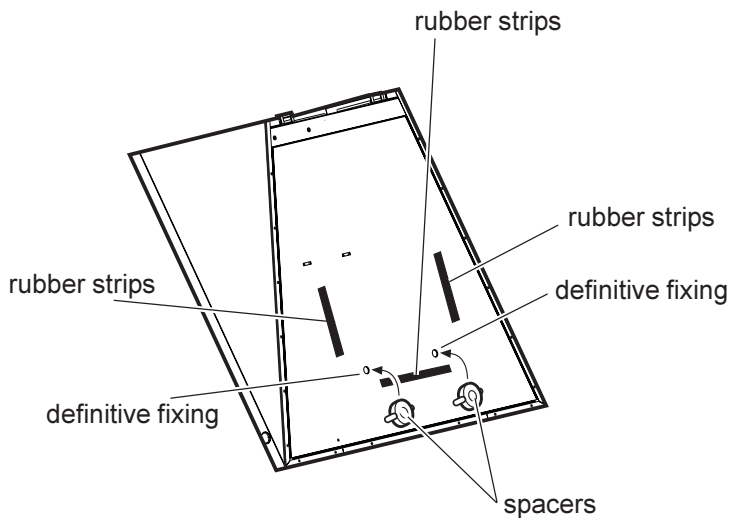


Fig. 10

- Mark the wall with a centre line, this will aid mounting procedure **(1)**, position the template so that the mid line printed on the template matches with the centre line previously marked, the lower side of the template corresponds to the lower side of the hood once mounted **(2)**.
- Drill two holes \varnothing 8mm and fix the support bracket with two wall plugs and screws **(3)**.
- Remove the front panels (see paragraph “Removing the front panels”).
- Hang the hood **(4)** adjust its position **(5-6)** and from the inside of the hood sign two points for definitive fixing **(7)**, remove the hood and drill two holes \varnothing 8mm **(8)**, fit two wall plugs, hang the hood again and fix it securely with two screws **(9)**. Cover the drill holes for screws with the two screw caps provided.

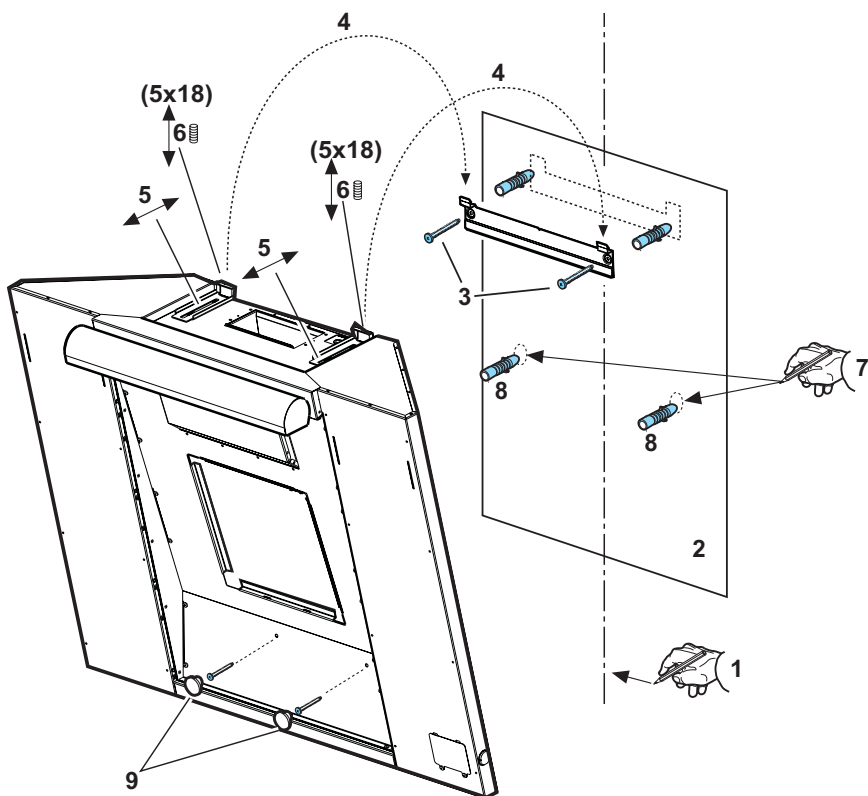


Fig. 11

- **HD 8795 only:** Fix the sides of the cooker hood by fastening the pins (10a) to the sides of the fastening screws (10b).

Block the sides sliding the two tabs outwards (11).

- Make electrical connection (12), but leave the hood disconnected from the home general electric panel.

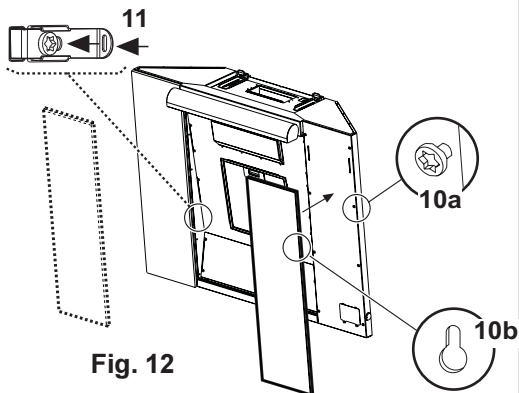


Fig. 12

- In the case that it is decided to use the cooker hood in the extraction version, then fix one of the two flanges provided in the exit hole (13 – extraction). Attention! The tall flange should be used when a telescopic chimney is required to be mounted (this item should be ordered – see special accessories), the short flange is to be used in all other cases.
- Remount the grease filter and the front panels noting the numbering on the back of each screen (from 1 to 4, top to bottom).
- Connect the hood to the mains supply and check the functions are working correctly.

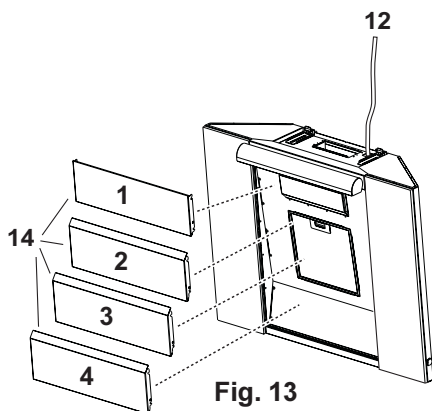
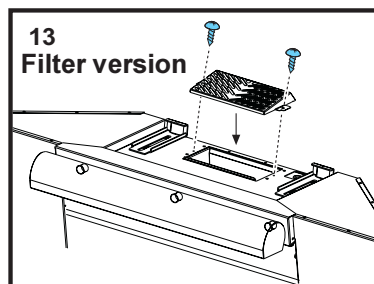
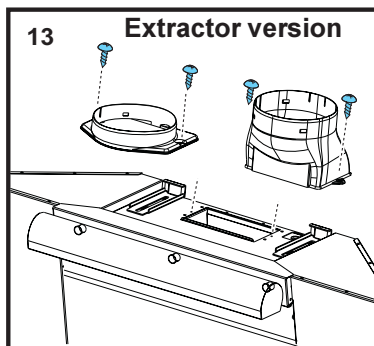


Fig. 13





From the Electrolux Group. The world's No.1 choice.

The Electrolux Group is the world's largest producer of powered appliances for kitchen, cleaning and outdoor use. More than 55 million Electrolux Group products (such as refrigerators, cookers, washing machines, vacuum cleaners, chain saws and lawn mowers) are sold each year to a value of approx. USD 14 billion in more than 150 countries around the world.

**AEG Hausgeräte GmbH
Postfach 1036
D-90327 Nürnberg**

**<http://www.aeg.hausgeraete.de>
<http://www.aeg.co.uk>**

© Copyright by AEG

LI2BUD ed. 04/04